

○ Dia= 5/8"  
 ⊠ Dia= 3/4"

ANCHOR BOLT PLAN

**RECEIVED**  
 MAR 08 2023  
 BY: *[Signature]*

ISSUE	DATE	DESCRIPTION	BY	CK'D	DSN
0	11/ 9/22	FOR ERECTOR INSTALLATION	IES	IES	FG

**HERITAGE**  
 BUILDING SYSTEMS

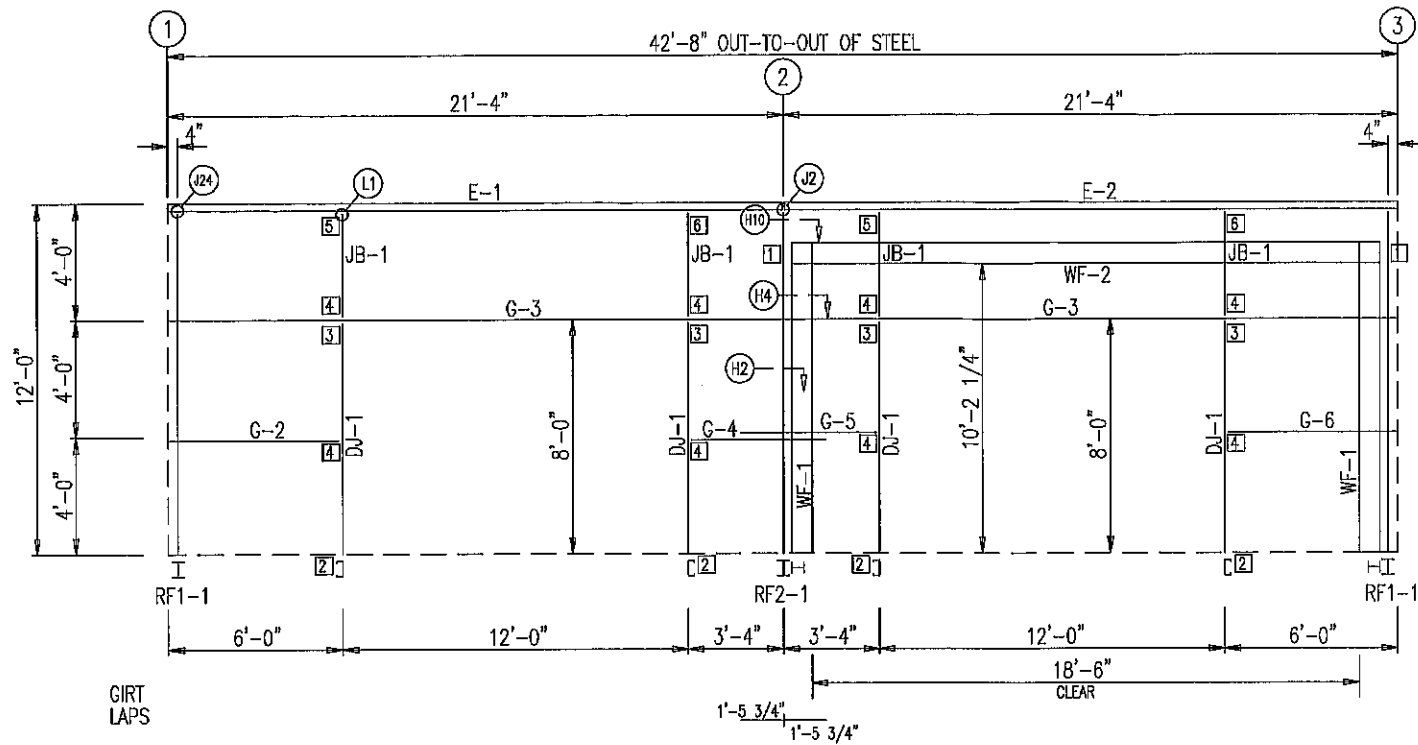
4704 W COMMERCIAL DR. STE B  
 NORTH LITTLE ROCK, AR 72116-8040  
 1-800-643-5555

*BUILDING 'K'*

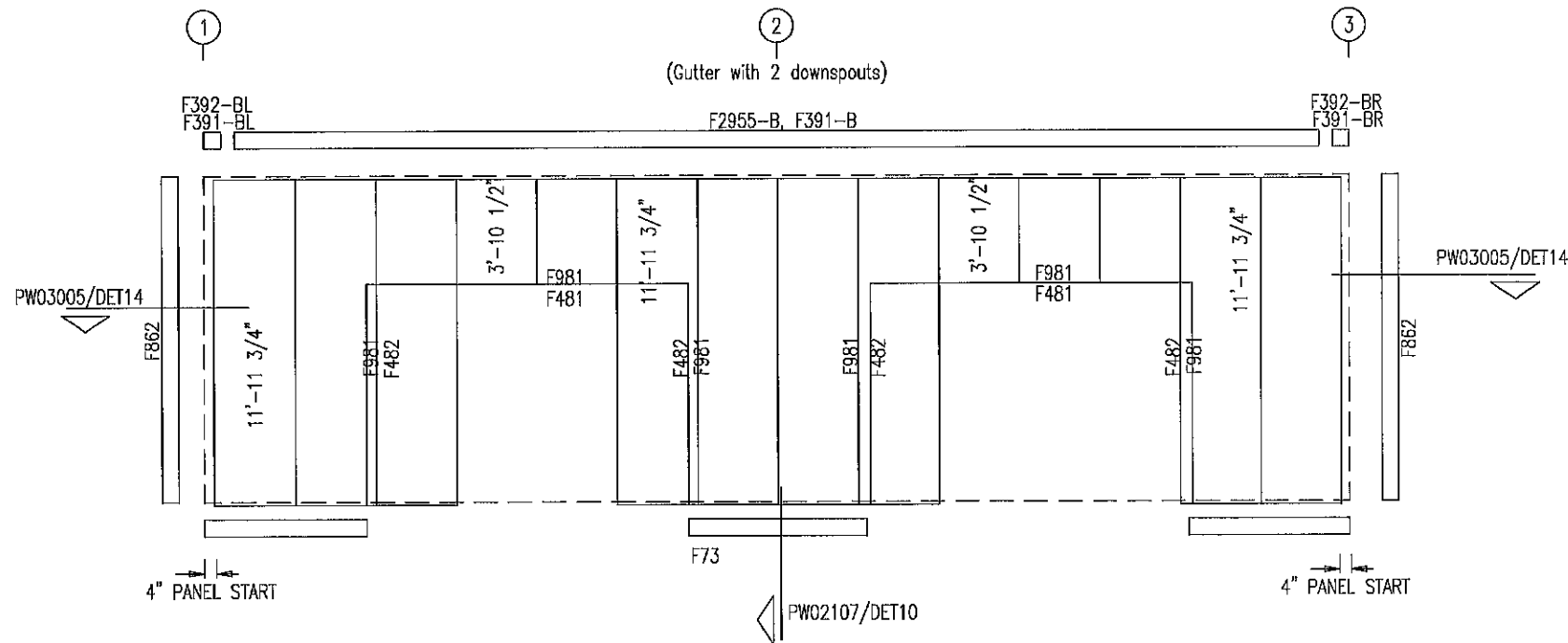
PROJECT:	MGC DEVELOPERS - 33X42'8"X12						
CUSTOMER:	MGC DEVELOPERS-H						
OWNER:	MGC DEVELOPERS-H						
LOCATION:	MILLVILLE, DE 19967						
CAD	DATE	SCALE	PHASE	BUILDING ID	JOB NUMBER	SHEET NUMBER	ISSUE
	11/ 9/22	N.T.S.	1	A	19-B-21746	F1	0



11-14-2022  
 6102D7BFB3BD4EE



SIDEWALL FRAMING: FRAME LINE A



SIDEWALL SHEETING & TRIM: FRAME LINE A

PANELS: 26 Gauge PBR - Cobalt Blue

BOLT TABLE				
FRAME LINE A				
LOCATION	QUAN	TYPE	DIA	LENGTH
WF-1 - WF-2	8	A325	3/4"	1 3/4"
WF-1 - RF2-1	8	A325	3/4"	1 1/2"
WF-1 - RF1-1	8	A325	3/4"	1 1/2"

MEMBER TABLE		
FRAME LINE A		
MARK	PART	LENGTH
WF-1	W08542	10'-10 3/4"
WF-2	W08542	18'-5 3/4"
DJ-1	8X35C14	7'-11 1/2"
E-1	8ES1L14	21'-3 1/2"
E-2	8ES1L14	21'-3 1/2"
G-2	8X25Z16	5'-7 3/4"
G-3	8X35C14	21'-3 1/2"
G-4	8X25Z16	4'-5 3/4"
G-5	8X25Z16	4'-5 3/4"
G-6	8X25Z16	5'-7 3/4"
JB-1	8X35C14	2'-11 3/16"

CONNECTION PLATES	
FRAME LINE A	
ID	MARK/PART
1	SC479
2	CL753
3	CL750
4	CL751
5	SC584-L
6	SC584-R

**DOWNSPOUT SPACING LOCATIONS**

DOWNSPOUTS ARE TO BE PLACED AT A SPACING NOT TO EXCEED 50 FT. WITH A DOWNSPOUT WITHIN 25 FT. OF EACH END OF THE GUTTER RUN. GUTTER STRAPS TO BE 2'-0" ON CENTER.

**GENERAL NOTES:**

- INSTALL ALL GIRTS AND FLANGE BRACES (FB) AS SHOWN.
- WALL PANEL PROVIDES STRUCTURAL STABILITY TO THE BUILDING.
- OTHER THAN FOR WALK DOORS AND WINDOWS SHOWN ON THE CONTRACT, DO NOT ADD ADDITIONAL WALL OPENINGS WITHOUT APPROVAL OF BUILDING MANUFACTURER OR PROFESSIONAL ENGINEER.
- AFTER INSTALLATION, WIPE ALL PANELS CLEAN OF METAL SHAVINGS CAUSED BY DRILLING.

ISSUE	DATE	DESCRIPTION	BY	CK'D	DSN
0	11/ 9/22	FOR ERECTOR INSTALLATION	IES	IES	FG

**HERITAGE**  
BUILDING SYSTEMS

4704 W. COMMERCIAL DR. STE B  
NORTH LITTLE ROCK, AR 72116-8040  
1-800-643-5555

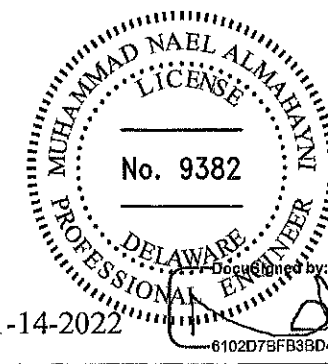
PROJECT: MGC DEVELOPERS - 33X42'8"X12

CUSTOMER: MGC DEVELOPERS-H

OWNER: MGC DEVELOPERS-H

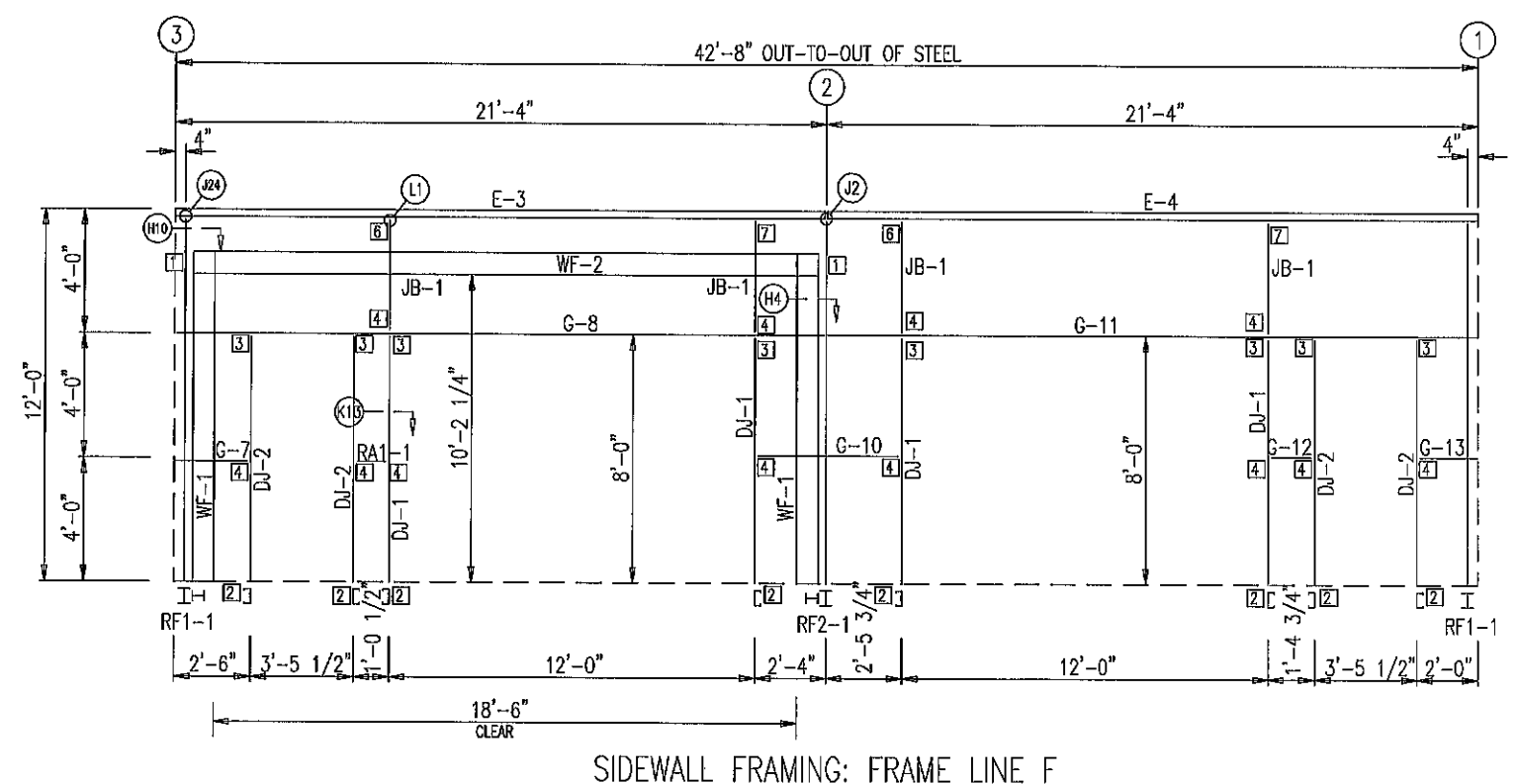
LOCATION: MILLVILLE, DE 19967

CAD	DATE	SCALE	PHASE	BUILDING ID	JOB NUMBER	SHEET NUMBER	ISSUE
	11/ 9/22	N.T.S.	1	A	19-B-21746	E3	0



11-14-2022

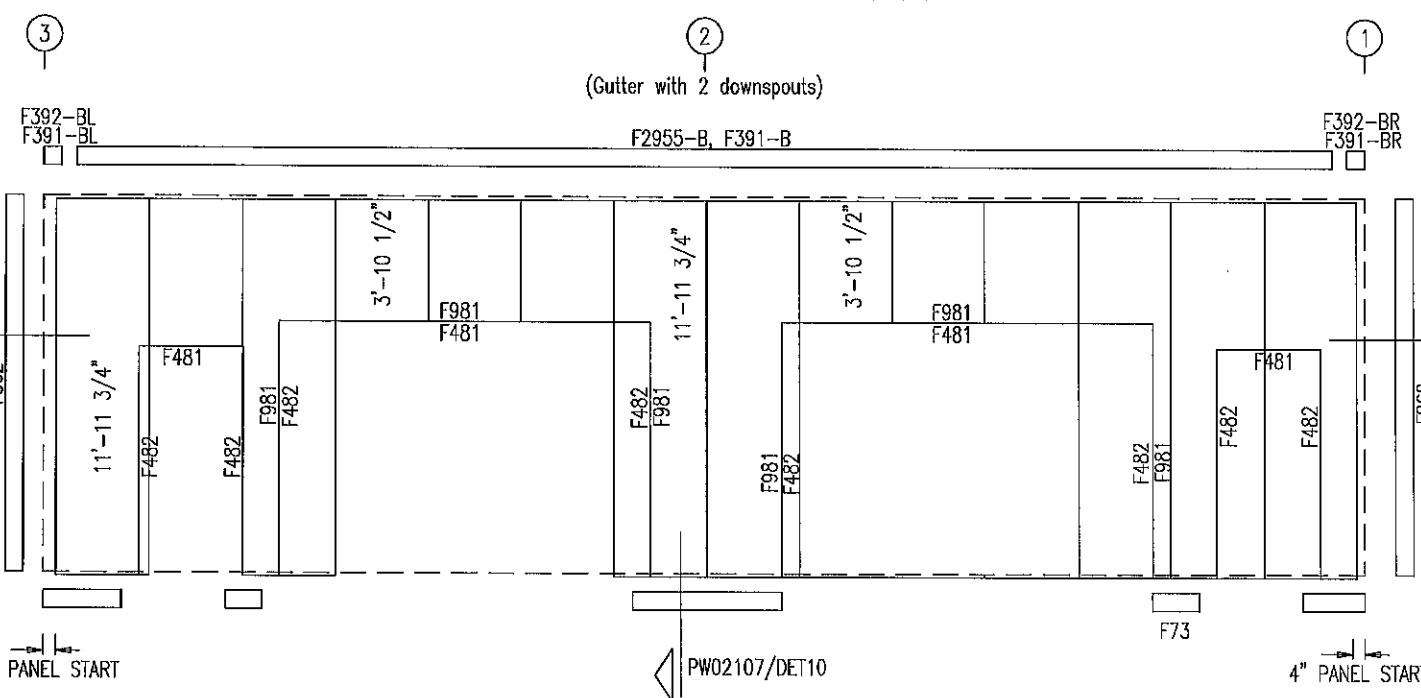
6102D78FB3D4EE...



BOLT TABLE				
FRAME LINE F				
LOCATION	QUAN	TYPE	DIA	LENGTH
WF-1 - WF-2	8	A325	3/4"	1 3/4"
WF-1 - RF1-1	8	A325	3/4"	1 1/2"
WF-1 - RF2-1	8	A325	3/4"	1 1/2"

MEMBER TABLE		
FRAME LINE F		
MARK	PART	LENGTH
WF-1	W08542	10'-10 3/4"
WF-2	W08542	18'-5 3/4"
DJ-1	8X35C14	7'-11 1/2"
DJ-2	8X35C14	7'-11 1/2"
E-3	8ES1L14	21'-3 1/2"
E-4	8ES1L14	21'-3 1/2"
G-7	8X25Z16	2'-1 3/4"
G-8	8X35C14	21'-3 1/2"
G-10	8X25Z14	4'-1 3/4"
G-11	8X35C14	21'-3 1/2"
G-12	8X25Z16	8 3/4"
G-13	8X25Z16	1'-7 3/4"
JB-1	8X35C14	2'-11 3/16"

CONNECTION PLATES	
FRAME LINE F	
ID	MARK/PART
1	SC479
2	CL753
3	CL750
4	CL751
5	SC425
6	SC584-L
7	SC584-R



**SIDEWALL SHEETING & TRIM: FRAME LINE F**

PANELS: 26 Gauge PBR - Cobalt Blue

**DOWNSPOUT SPACING LOCATIONS**  
 DOWNSPOUTS ARE TO BE PLACED AT A SPACING NOT TO EXCEED 50 FT. WITH A DOWNSPOUT WITHIN 25 FT. OF EACH END OF THE GUTTER RUN. GUTTER STRAPS TO BE 2'-0" ON CENTER.

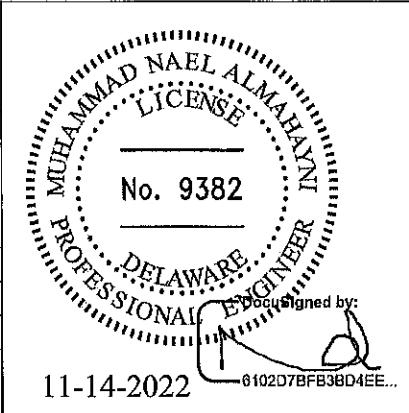
**GENERAL NOTES:**  
 1. INSTALL ALL GIRTS AND FLANGE BRACES (FB) AS SHOWN.  
 2. WALL PANEL PROVIDES STRUCTURAL STABILITY TO THE BUILDING.  
 3. OTHER THAN FOR WALK DOORS AND WINDOWS SHOWN ON THE CONTRACT, DO NOT ADD ADDITIONAL WALL OPENINGS WITHOUT APPROVAL OF BUILDING MANUFACTURER OR PROFESSIONAL ENGINEER.  
 4. AFTER INSTALLATION, WIPE ALL PANELS CLEAN OF METAL SHAVINGS CAUSED BY DRILLING.

ISSUE	DATE	DESCRIPTION	BY	CK'D	DSN
0	11/ 9/22	FOR ERECTOR INSTALLATION	IES	IES	FG

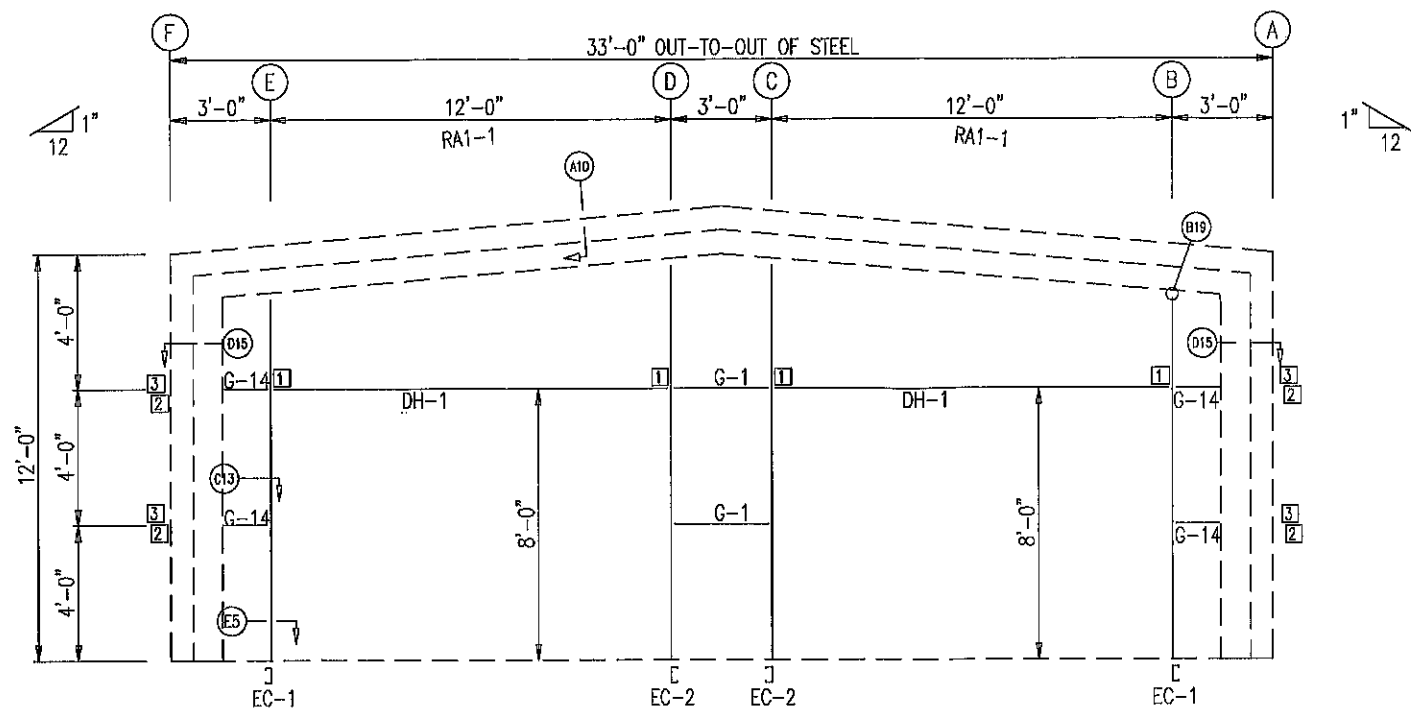


4704 W COMMERCIAL DR. STE B  
 NORTH LITTLE ROCK, AR 72116-8040  
 1-800-643-5555

PROJECT:	MGC DEVELOPERS - 33X42'8"X12						
CUSTOMER:	MGC DEVELOPERS-H						
OWNER:	MGC DEVELOPERS-H						
LOCATION:	MILLVILLE, DE 19967						
CAD	DATE	SCALE	PHASE	BUILDING ID	JOB NUMBER	SHEET NUMBER	ISSUE
	11/ 9/22	N.T.S.	1	A	19-B-21746	E4	0



11-14-2022 6102D7BFB3BD4EE...



**RIGID FRAME ONLY!**  
 WASHER TO BE USED AT ENDWALL COLUMN TO ENDWALL RAFTER CONNECTION. USE ONE WASHER ON SLOTTED SIDE.

**BOLT TABLE**  
 FRAME LINE 1

LOCATION	QUAN	TYPE	DIA	LENGTH
Columns/Raf	2	A325	1/2"	1 1/4"

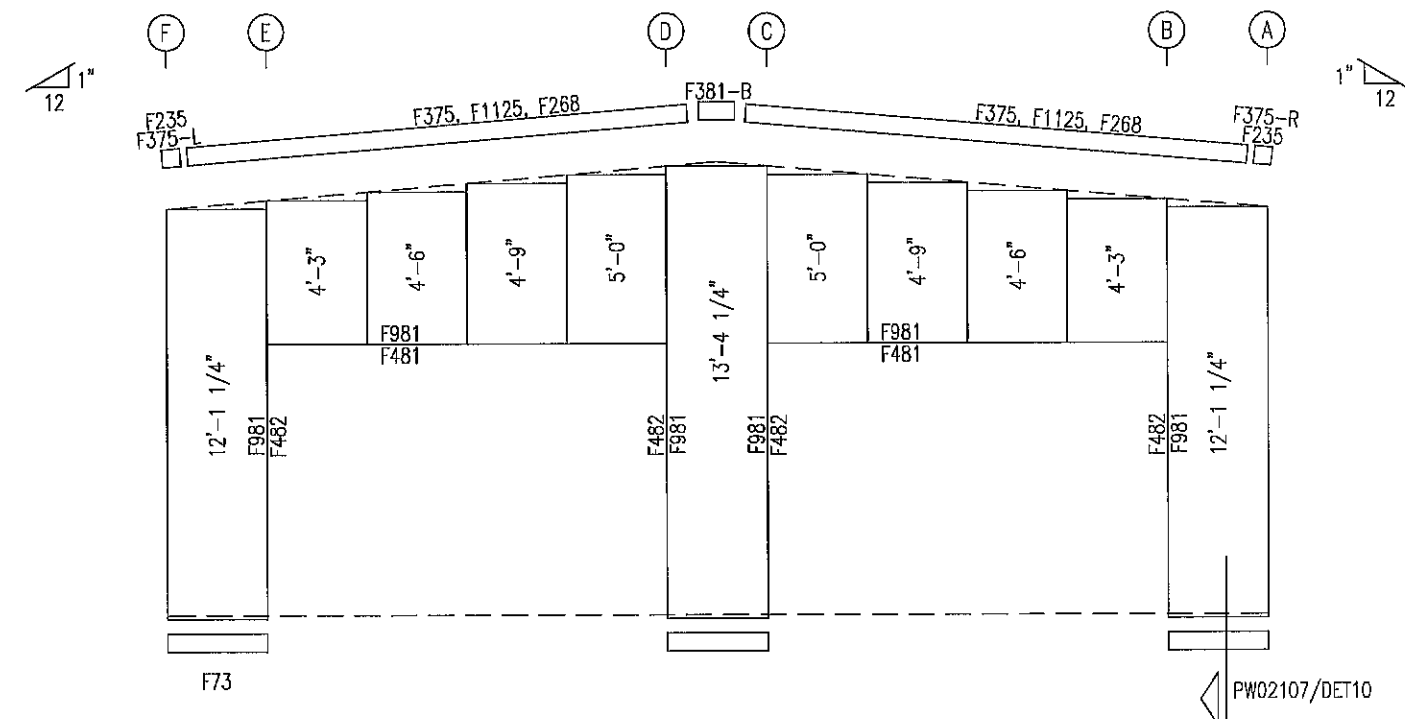
**MEMBER TABLE**  
 FRAME LINE 1

MARK	PART	LENGTH
EC-1	8F35C14	10'-9 3/16"
EC-2	8F35C14	11'-9 3/16"
DH-1	8X35C14	11'-11 3/4"
G-1	8X25Z16	2'-4 1/2"
G-14	8X25Z16	1'-0 1/2"

**CONNECTION PLATES**  
 FRAME LINE 1

ID	MARK/PART
1	SC425
2	SC5
3	PC22

ENDWALL FRAMING: FRAME LINE 1



ENDWALL SHEETING & TRIM: FRAME LINE 1

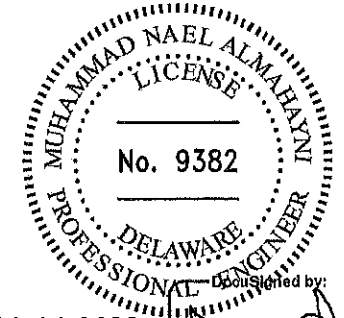
PANELS: 26 Gauge PBR - Cobalt Blue

ISSUE	DATE	DESCRIPTION	BY	CK'D	DSN
0	11/ 9/22	FOR ERECTOR INSTALLATION	IES	IES	FG

**HERITAGE**  
 BUILDING SYSTEMS

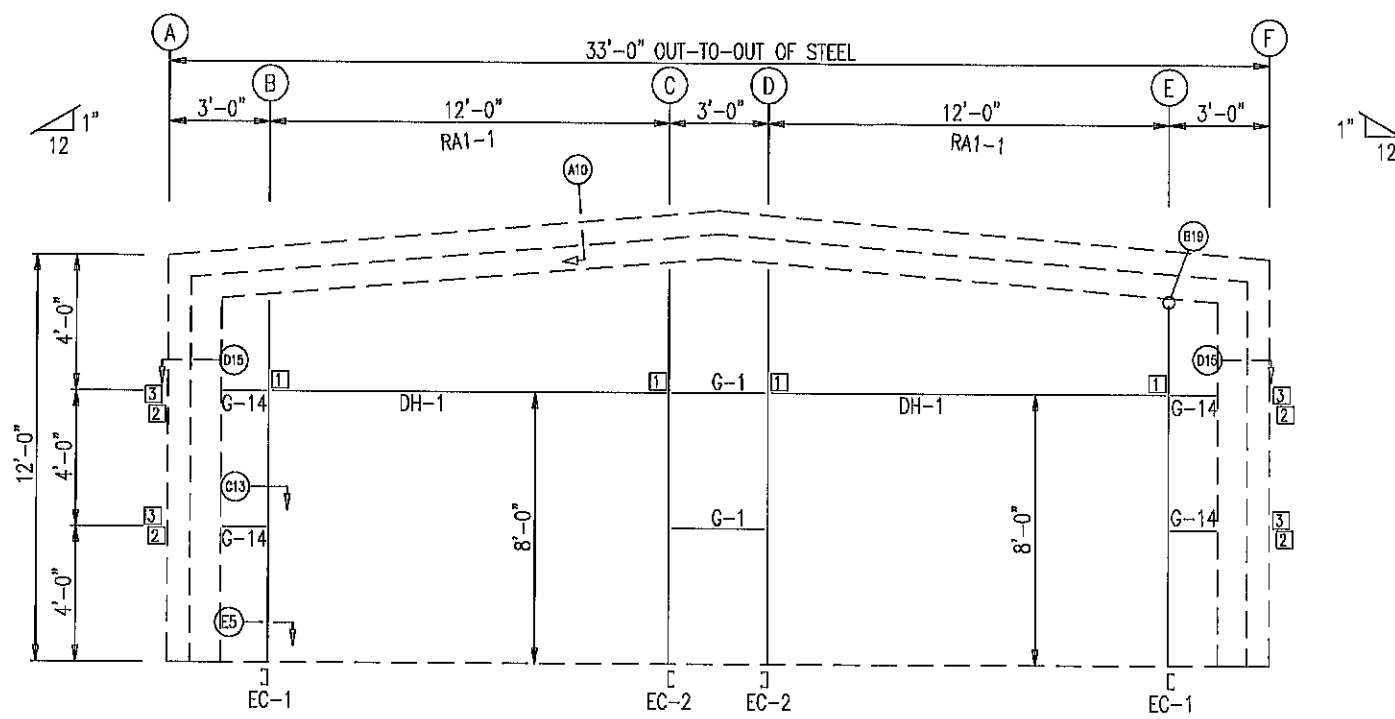
4704 W COMMERCIAL DR. STE B  
 NORTH LITTLE ROCK, AR 72116-8040  
 1-800-643-5555

PROJECT:	MGC DEVELOPERS - 33X42'8"X12						
CUSTOMER:	MGC DEVELOPERS-H						
OWNER:	MGC DEVELOPERS-H						
LOCATION:	MILLVILLE, DE 19967						
CAD	DATE	SCALE	PHASE	BUILDING ID	JOB NUMBER	SHEET NUMBER	ISSUE
	11/ 9/22	N.T.S.	1	A	19-B-21746	E5	0



11-14-2022

- GENERAL NOTES:**
1. INSTALL ALL GIRTS AND FLANGE BRACES (FB) AS SHOWN.
  2. WALL PANEL PROVIDES STRUCTURAL STABILITY TO THE BUILDING.
  3. OTHER THAN FOR WALK DOORS AND WINDOWS SHOWN ON THE CONTRACT, DO NOT ADD ADDITIONAL WALL OPENINGS WITHOUT APPROVAL OF BUILDING MANUFACTURER OR PROFESSIONAL ENGINEER.
  4. AFTER INSTALLATION, WIPE ALL PANELS CLEAN OF METAL SHAVINGS CAUSED BY DRILLING.



**RIGID FRAME ONLY!**  
 WASHER TO BE USED AT ENDWALL COLUMN TO ENDWALL RAFTER CONNECTION. USE ONE WASHER ON SLOTTED SIDE.

**BOLT TABLE**  
 FRAME LINE 3

LOCATION	QUAN	TYPE	DIA	LENGTH
Columns/Raf	2	A325	1/2"	1 1/4"

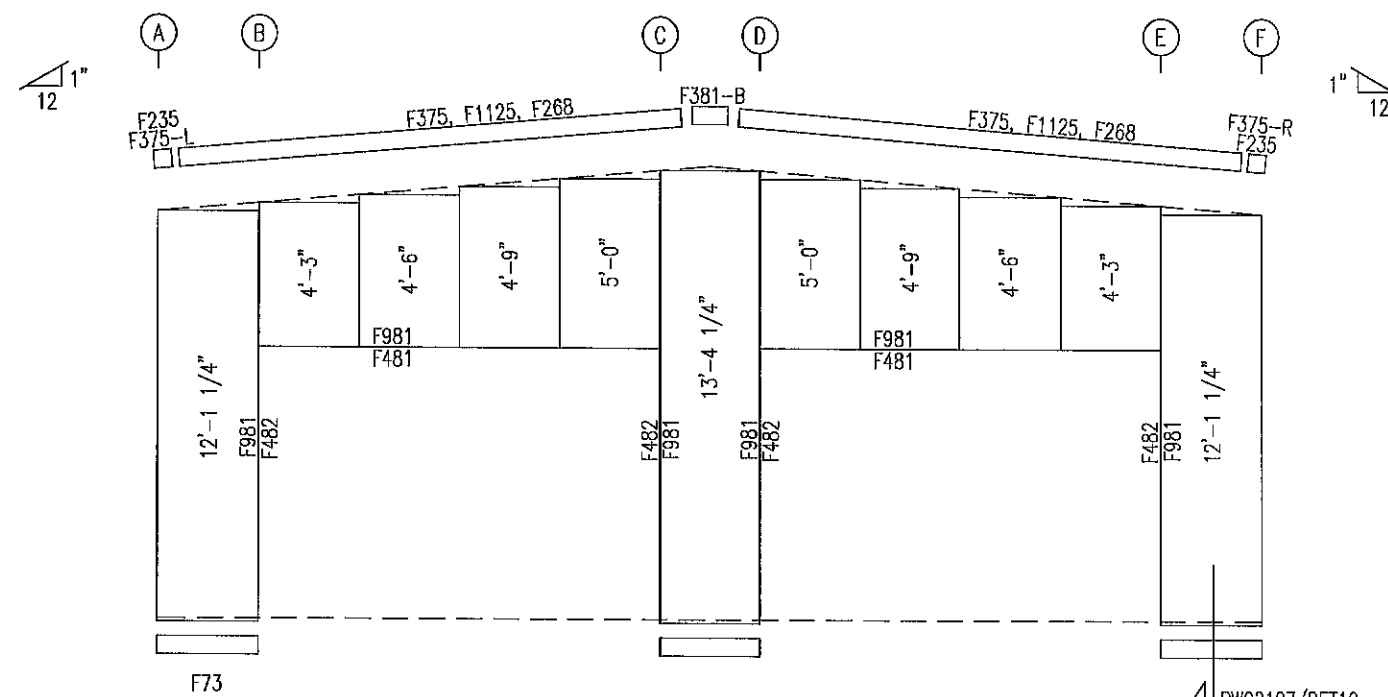
**MEMBER TABLE**  
 FRAME LINE 3

MARK	PART	LENGTH
EC-1	8F35C14	10'-9 3/16"
EC-2	8F35C14	11'-9 3/16"
DH-1	8X35C14	11'-11 3/4"
G-1	8X25Z16	2'-4 1/2"
G-14	8X25Z16	1'-0 1/2"

**CONNECTION PLATES**  
 FRAME LINE 3

ID	MARK/PART
1	SC425
2	SC5
3	PC22

**ENDWALL FRAMING: FRAME LINE 3**



**ENDWALL SHEETING & TRIM: FRAME LINE 3**

PANELS: 26 Gauge PBR - Cobalt Blue

ISSUE	DATE	DESCRIPTION	BY	CK'D	DSN
0	11/ 9/22	FOR ERECTOR INSTALLATION	IES	IES	FG



4704 W COMMERCIAL DR. STE B  
 NORTH LITTLE ROCK, AR 72116-8040  
 1-800-643-5555

PROJECT:	MGC DEVELOPERS - 33X42'8"X12						
CUSTOMER:	MGC DEVELOPERS-H						
OWNER:	MGC DEVELOPERS-H						
LOCATION:	MILLVILLE, DE 19967						
CAD	DATE	SCALE	PHASE	BUILDING ID	JOB NUMBER	SHEET NUMBER	ISSUE
	11/ 9/22	N.T.S.	1	A	19-B-21746	E6	0

- GENERAL NOTES:**
- INSTALL ALL GIRTS AND FLANGE BRACES (FB) AS SHOWN.
  - WALL PANEL PROVIDES STRUCTURAL STABILITY TO THE BUILDING.
  - OTHER THAN FOR WALK DOORS AND WINDOWS SHOWN ON THE CONTRACT, DO NOT ADD ADDITIONAL WALL OPENINGS WITHOUT APPROVAL OF BUILDING MANUFACTURER OR PROFESSIONAL ENGINEER.
  - AFTER INSTALLATION, WIPE ALL PANELS CLEAN OF METAL SHAVINGS CAUSED BY DRILLING.



11-14-2022

